



Switch Installation Guide

Supported model

- C4-SW240 Switch. 240V

Introduction

The Control4® Switch operates independently or as part of a Control4 home automation system. It installs in a standard back box using typical wiring standards and communicates to the Control4 system using a wireless connection.

Box contents

- Switch
- Terminal block
- Warranty card
- *Switch Installation Guide* (this document)

Specifications and supported load types

The specifications are described below.

Model number	C4-SW240-xx
Power requirements	220VAC-240VAC +/-10%, 50/60Hz This device requires a neutral connection. See the "Sample Wiring Configurations" later in this guide.
Power consumption	950mW
Load types and ratings	
Supported load types	Incandescent, halogen, electronic (solid state) low voltage (ELV) transformers, magnetic (iron core, inductive) low voltage (MLV) transformers, fluorescents, compact fluorescents, LEDs, motors
Maximum load	10A, 1/2HP
Environmental	
Operational temperature	32°F - 104°F (0°C - 40°C)
Humidity	5% to 95% non-condensing
Storage	-4°F - 158°F (-20°C - 70°C)
Miscellaneous	
Control communications	ZigBee, IEEE 802.15.4, 2.4 GHz, 15-channel spread spectrum radio
Wallbox volume	5.75 cubic inches (94.2 cubic centimeters)
Weight	0.12 lb (0.05 kg)
Shipping weight	0.18 lb (0.08 kg)

Warnings and considerations



WARNING! Turn OFF electrical power before installing or servicing this product. Improper use or installation can cause SERIOUS INJURY, DEATH or LOSS/DAMAGE OF PROPERTY.



WARNING! This device must be protected by a circuit breaker (20A max).



WARNING! Ground this device in accordance with the National Electric Code (NEC) requirements. DO NOT rely solely upon the yoke plate's contact with a metal back box for adequate grounding. Use the device's ground wire to make a secure connection to the safety ground of the electrical system.



IMPORTANT! This device must be installed by a licensed electrician in accordance with all national and local electrical codes.



IMPORTANT! If you are unsure about any part of these instructions, consult a qualified electrician.



IMPORTANT! Use this device only with copper or copper-clad wire. Do not use aluminum wiring. This product has not been approved for use with aluminum wiring.



IMPORTANT! Using this product in a manner other than outlined in this document voids your warranty. Further, Control4 is NOT liable for any damage incurred with the misuse of this product. See "Troubleshooting."



IMPORTANT! Do NOT use a power screwdriver to install this device. If you do, you may overtighten the screws and strip them. Also, overtightening the screws may interfere with proper button operation.



IMPORTANT! This is an electronic device with intricate components. Handle and install with care!



IMPORTANT! When used in conjunction with an Auxiliary Keypad (C4-KA-xx), the wire connecting the Auxiliary Keypad to the switch must not exceed 100 feet (30 m) at 240VAC.

Installation instructions

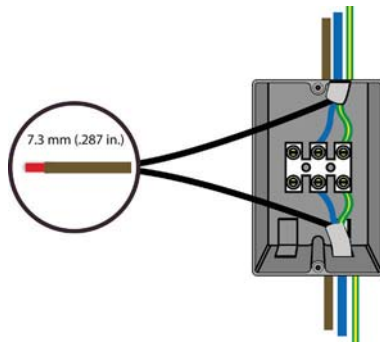
- 1 Ensure that the location and intended use meet the following criteria:
 - Do not exceed the load capacity requirements of the switch. Refer to the load ratings in the specifications above for details.
 - Install in accordance with all national and local electrical codes.
 - The range and performance of the wireless control system is highly dependent on the following: (1) distance between devices; (2) layout of the home; (3) walls separating devices; and (4) electrical equipment located near devices.
- 2 Turn off the mains electrical power at the consumer unit. To ensure the wires do NOT have power running to them, use an inductive voltage detector.



NOTE: The back box wiring shown in this document is an example. Your wire colors and functions may differ. If you are not sure which wires are the Line In/Hot, Neutral, Load, Traveler, and Earth Ground wires, have a trained electrician perform the installation.

- 3 Prepare each wire. Wire insulation should be stripped back 7mm from the wire end (see Figure 1).

Figure 1. Strip wire insulation



4 Identify your wiring application, and then see the appropriate wiring diagram in the “Sample Wiring Configurations” section below.

IMPORTANT! Not grounding this product, as described in the section “Warnings and Considerations,” may result in an installation less immune to damage caused by electrical disturbances, such as ESD or lightning, and may void the warranty.

5 Identify and connect the switch wires to the back box wires using the terminal block.

IMPORTANT! The yellow wire is not a traditional traveler. It cannot directly power a lighting load. It must be used only to connect to a Control4 Auxiliary Keypad. See “Sample Wiring Configurations.”

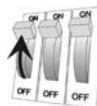
TIP: If you are using a Control4 push-on (screwless) faceplate in a multi-gang installation, attach the black faceplate sub-plate to all of the devices that will be installed into the wallbox prior to attaching the devices to the wallbox. This will help ensure that all the devices are properly aligned and on the same plane after installation.

6 Fit the wires back into the back box. Bend the wires in a zigzag pattern so that they easily fold into the back box.

7 Align the switch to the back box (the load rating label should be at the bottom) and fasten it with screws. Tighten the screws until the back side of the yoke plate is even with the wall surface, but no further. Overtightening can warp the dimmer and cause mechanical malfunction.

8 Install the Control4 Faceplate following the instructions in the *Faceplate Installation Guide* or attach a standard Decora-style faceplate.

9 Turn ON mains power at the consumer unit.



Operation and configuration

On initial power up, all status LEDs on the switch will illuminate green indicating that the device has power. To set up this switch for use with a Control4 system, refer to the *Composer Pro User Guide*.

To operate this switch as a stand-alone device:

- Click the **top button** to turn the light on.
- Click the **bottom button** to turn the light off.

Button tap sequences

Function	Button tap sequence (either top button only, or top-bottom-top)
Identify	4
ZigBee channel	7
Reboot	15
Factory reset	9-4-9
Leave mesh and reset	13-4-13

Troubleshooting

If the light does not turn on:

- Ensure at least one LED on the face of the switch is lit.
- Ensure the light bulb is not burned out and is screwed in tightly.
- Ensure that the circuit breaker is not turned OFF or tripped.
- Check for proper wiring (see “Sample Wiring Configurations”).
- For help on the installation or operation of this product, email or call the Control4 Technical Support Center. Please provide your exact model number. Contact support@control4.com or see the web site www.control4.com.

Care and cleaning

- Do NOT paint the switch or its wall plate.
- Do NOT use any chemical cleaners to clean the switch.
- Clean surface of the switch with a soft damp cloth as needed.

Regulatory/Safety information

To review Regulatory information for your particular Control4 products, see the information located on the Control4 website at: <http://www.control4.com/regulatory/>.

Patent information

Applicable patents are available at <http://www.control4.com/legal/patents>.

Warranty

For complete warranty information, including details on consumer legal rights as well as warranty exclusions, review the Warranty card or visit www.control4.com/warranty.

About this document

Part Number: 200-00354 Rev B 12/6/2013 MS

Sample wiring configurations

Figure 2. Single device location

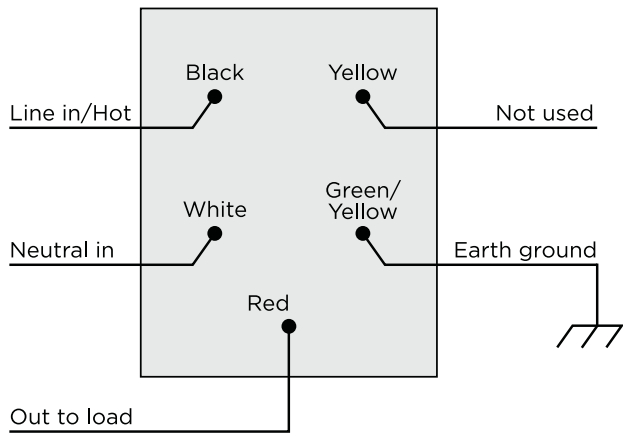


Figure 3. Multiple device location using Auxiliary Keypad

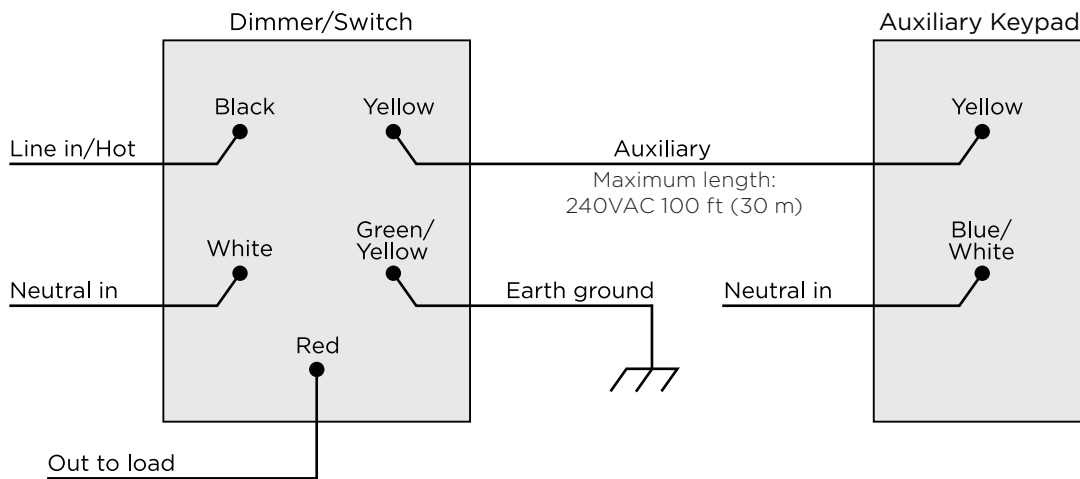


Figure 4. Multiple device location using Configurable Keypad

