

Figure 1. Wiring in Control4 Panel



8-Channel Dimmer Wiring Guide

Supported Model

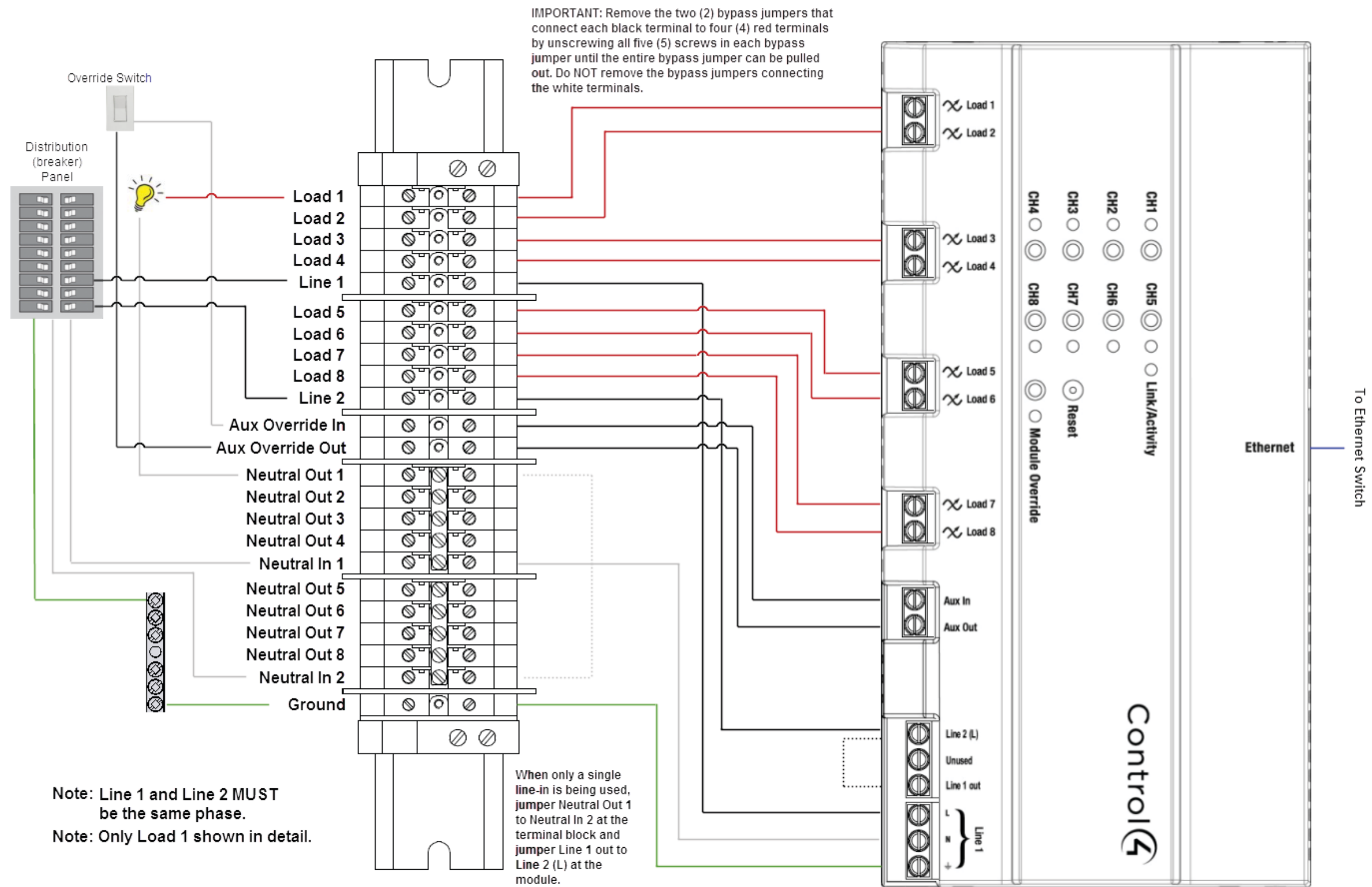
- C4-DIN-8DIM-E 8-Channel Dimmer

Diagrams Color Code*:

Black	—	Line
Red	—	Load
Grey	—	Neutral
Green	—	Earth Ground
Blue	—	Ethernet

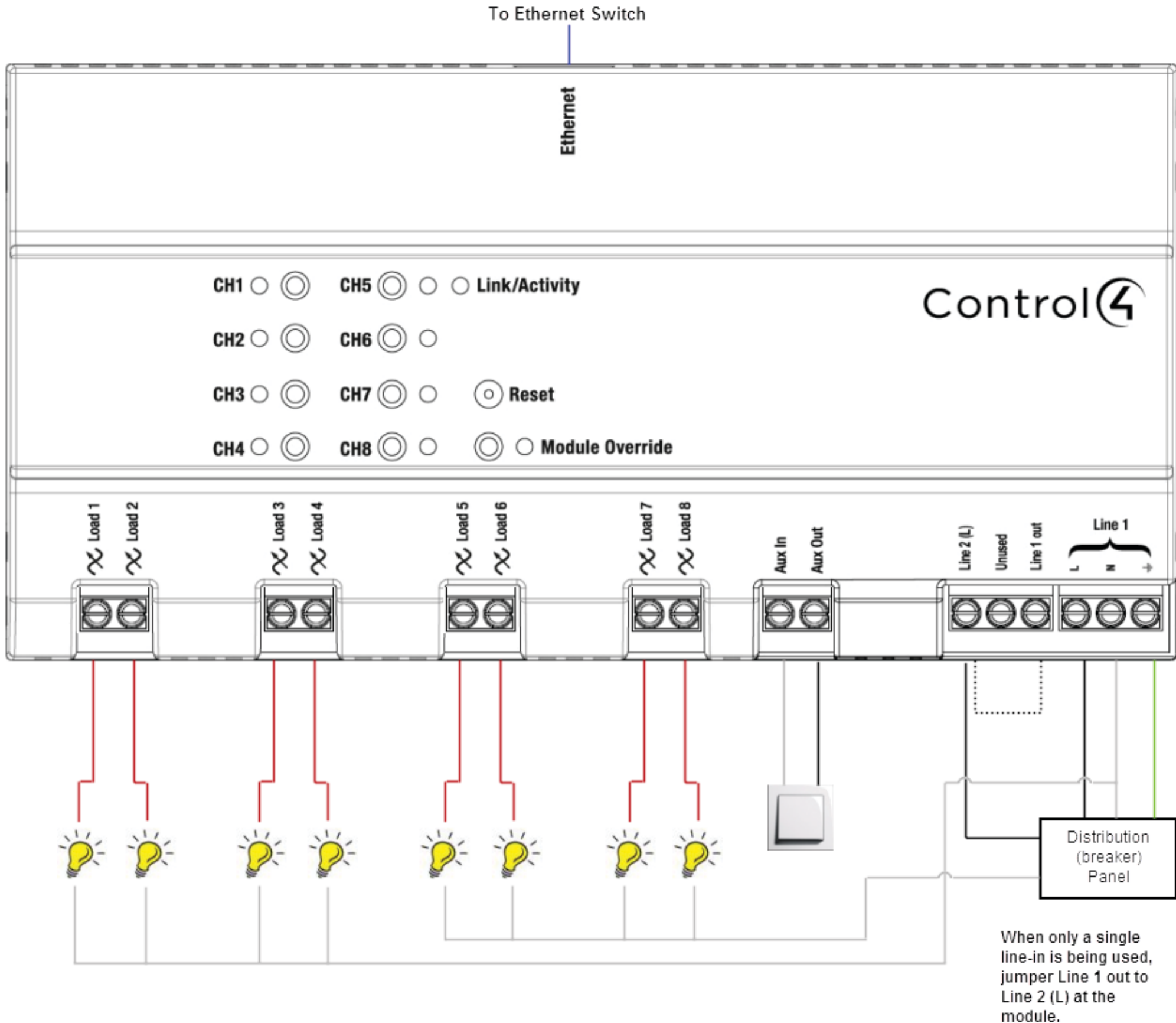
Wiring Diagrams

Use the Control4® 8-Channel Dimmer wiring diagrams along with the *8-Channel Dimmer Installation Guide* to install 8-Channel Dimmers.



* **IMPORTANT!** The wire colors shown in Figures 1 and 2 and in the 'Diagrams Color Code' table are examples only. Actual wire colors differ by country and/or voltage.

Figure 2. Wiring in Standard DIN Rail Panel



About this Document

Part Number: 200-00247, Rev. B 3/01/2013